

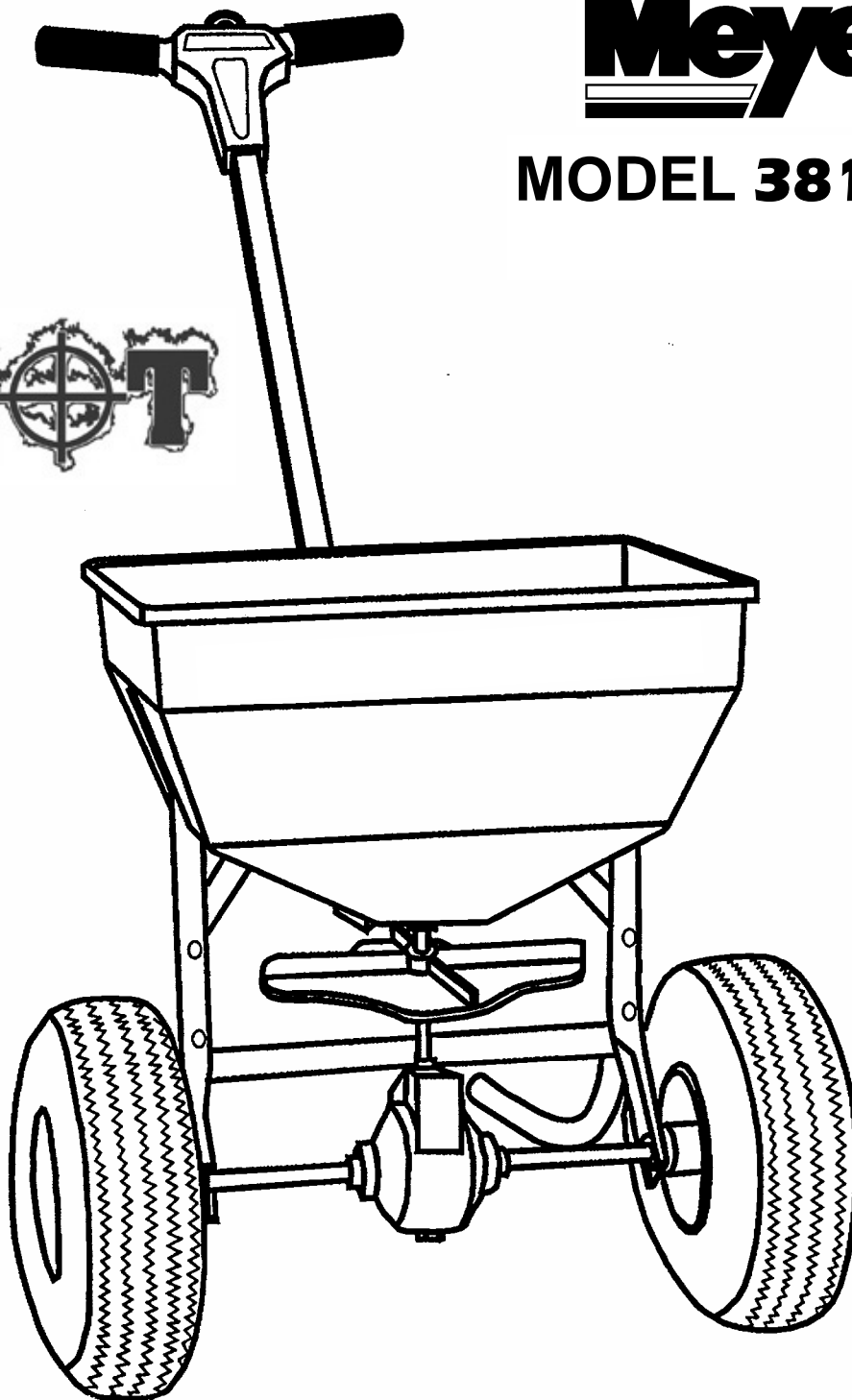
HOTSHOT

COMMERCIAL BROADCAST SPREADER

Meyer[®]

MODEL 38100

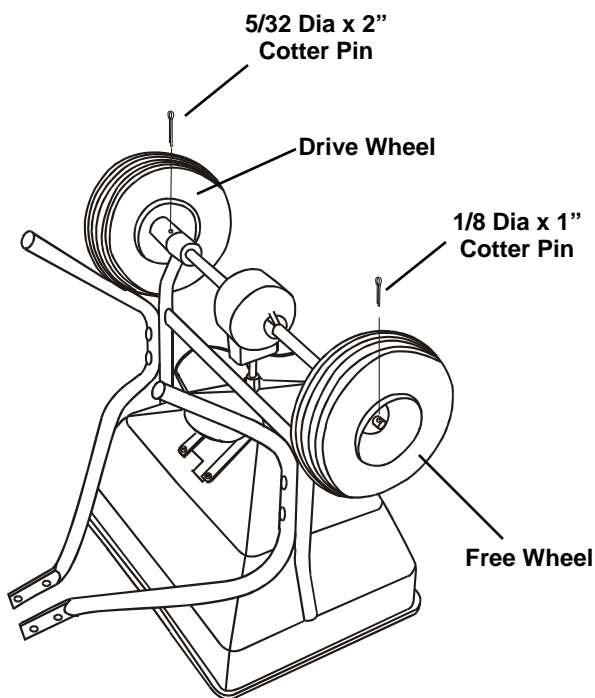
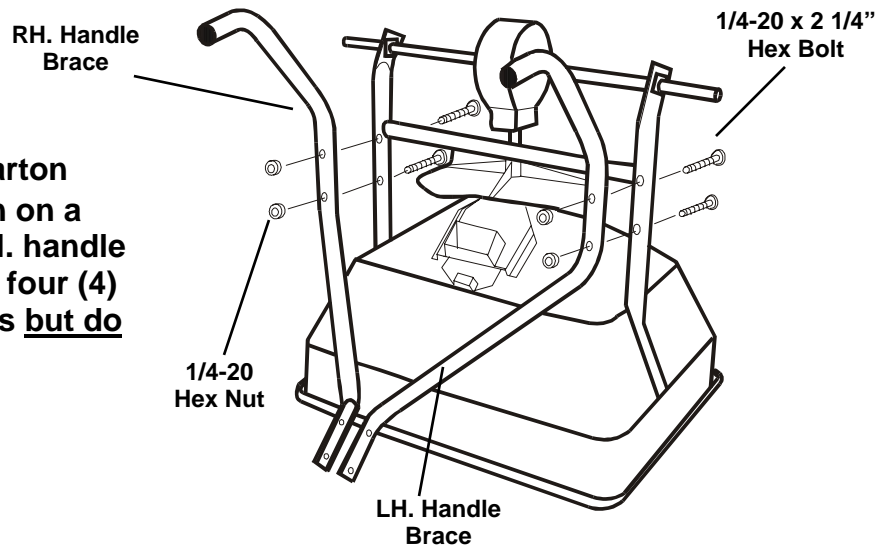
HOTSHOT



OWNER'S MANUAL

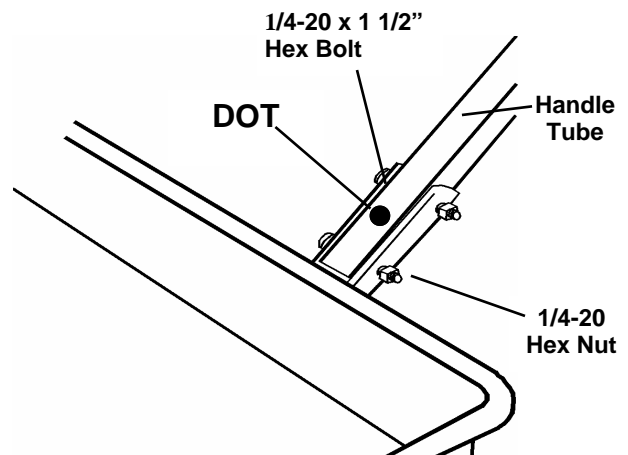
ASSEMBLY

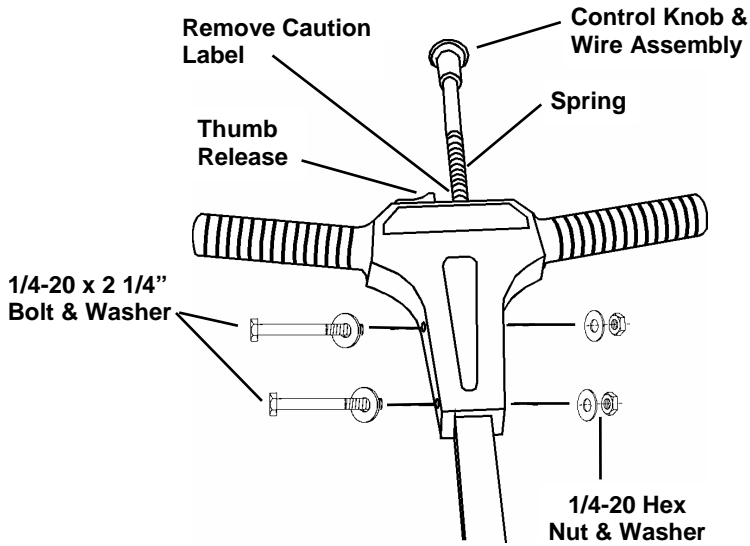
1. Remove components from carton and place spreader upside down on a padded surface. Install LH. & RH. handle braces to frame as shown using four (4) 1/4-20 x 2 1/4" hex bolts and nuts but do not tighten.



2. Install drive wheel onto right-hand end of axle (you can identify the drive wheel by the cotter pin hole drilled in the hub). Hub must face toward frame. Align the hole in the drive wheel hub and the hole in the axle. Secure drive wheel to axle with 5/32 dia x 2" cotter pin. Install the free wheel on the opposite end of axle. Insert 5/32 dia x 1" cotter pin in the hole near the end of axle to retain free wheel.

3. Turn spreader upright and install end of handle tube with DOT between handle braces as shown. Secure with (2) 1/4-20 x 1 1/2" hex bolts and nuts.

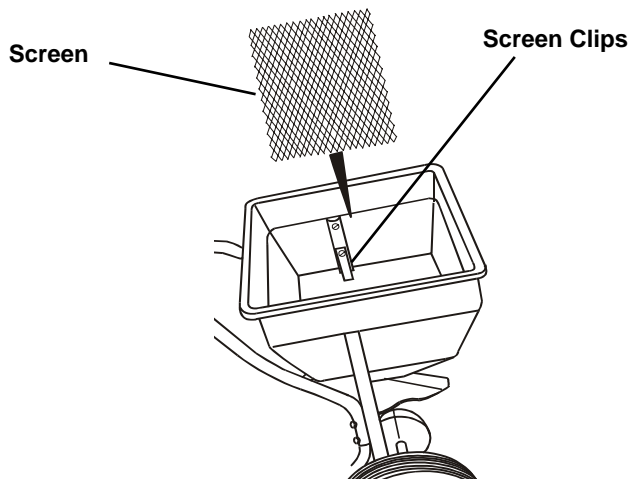
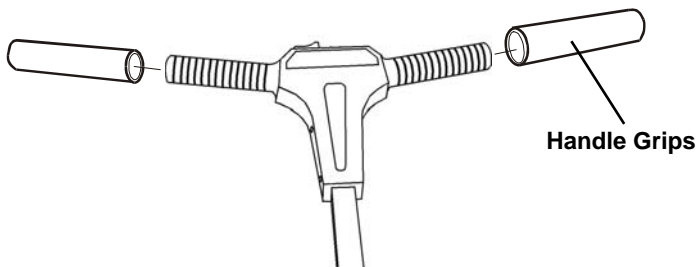
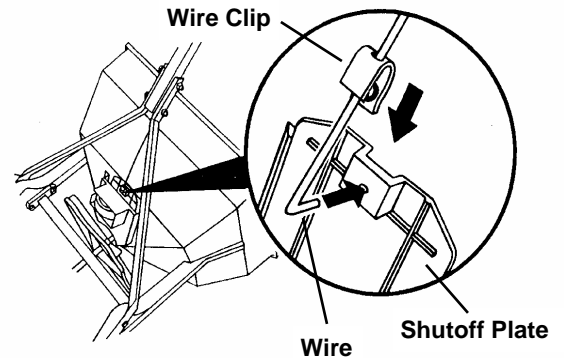




4. Feed control knob/wire through the T-handle until spring touches the round hole. **CAUTION: Do Not Compress Spring At This Time.** Feed wire through the square handle tube. **Be sure wire passes above the bolts in the handle brace.** Secure T-handle to the tube with (1) 1/4-20 x 2 1/4" hex bolts, (2) washers, and (1) hex nut in the holes. Remove caution label and push the thumb release toward the center and push down knob and shutoff spring until knob latches.

CAUTION: Once knob is latched, do not move thumb release until you have completed in step #5.

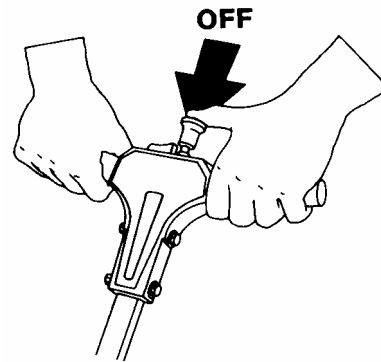
5. Slide wire retaining clip onto wire as shown. Insert wire through hole shutoff plate. Slide wire retaining clip over shutoff plate and wire until the clip locks into place.



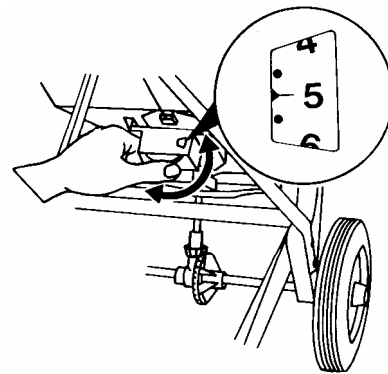
6. Install handle grips onto the handle as shown. Soapy water will ease installation. (Do not use petroleum based products). Insert screen into hopper by sliding it under the screen clips.

OPERATION

1. Check the product package for the rate setting, and recommended swath width. Turn the spreader OFF by pushing the control knob in. Rotate the rate cam to the proper setting.



2. The rate setting is adjusted by rotating the rate cam to the desired setting. The rate cam locks at each setting.

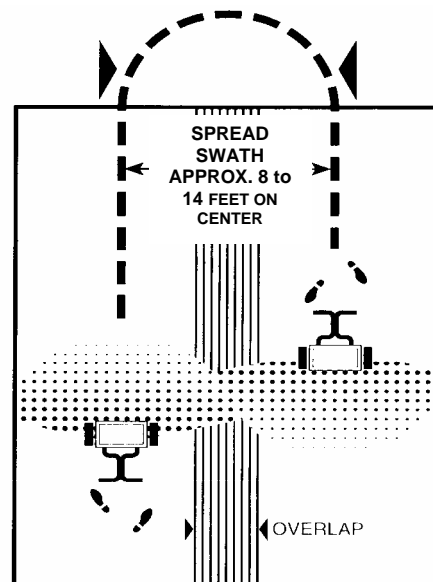


3. Always fill the spreader on the driveway or sidewalk-not on the lawn. Make sure spreader is in the "OFF" position. Empty after each use.

4. Start spreader moving, then open spreader by pushing the thumb release to the "ON" position. Always push spreader, never pull. Push knob down to close spreader.

5. Hold handle so top of spreader is level. Tipping the spreader too far can cause uneven spreading.

6. The settings and swath widths on the product label are recommended starting points. Always check the delivery rate and pattern on a small area before treating a large area. Actual delivery rate can vary due to weather conditions, operating variables, and condition of the product being applied. See "HOW TO DETERMINE SPREADER SETTING AND SWATH WIDTH" for details.



7. Push spreader 2 1/2 m.p.h. (18 feet in 5 seconds) for full 8' to 14' spread pattern when applying fertilizer products. Apply header strips at each end of area to be treated then space trips across the area as shown.

8. Empty spreader after each use. Return leftover material to its original container.

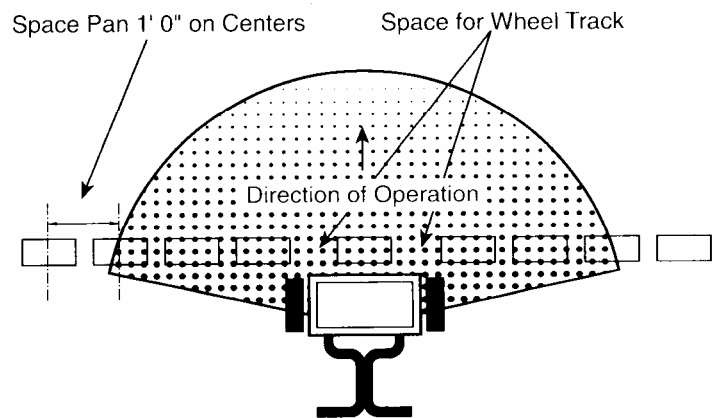
HOW TO DETERMINE SPREADER SETTINGS AND SPREAD WIDTH

Two major factors should be considered when determining correct spreader settings of any product:

1. The product application rate, or the amount of material applied per 1,000 square feet.
2. The effective pattern width, or the actual width in which material is applied. Label settings are a guide and can be affected by numerous factors.

EFFECTIVE PATTERN WIDTH

A simple visual pattern test can be made by operating the spreader over a non-turf area and evaluating the pattern. A more accurate method is to place a row of common, disposable, aluminum cake pans approximately 1 foot on centers. Set the rate cam at a middle setting and make 3 or 4 passes in the same direction as shown. Pour the material collected from each pan into individual bottles of the same size. Set them side by side in order, and visually inspect their volume. The effective pattern width is the distance out from the spreader to a point where the amount of material is 1/2 the average amount in the center pans. This distance is multiplied by 2 to achieve the total effective pattern width.



APPLICATION RATE

Knowing the effective pattern width (for example, 10 feet), measure a distance equal to 100 square feet (10' x 10' area covered). Determine the product coverage is pounds/ 100 sq. ft. by taking the weight of the product and dividing it by the recommended square foot coverage (add two zeroes to the weight of the bag).

EXAMPLE: Product weight: 25 lbs.
sq. ft. coverage: 5,000 sq. ft.
2500 lbs. - 5,000 sq. ft.
= .5 lbs. / 100 sq. ft.





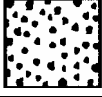
Weigh out between 15 to 20 lbs. of material and spread over the 100 sq. ft. area. Weigh remaining material left in hopper and adjust rate setting as required. Repeat test until application rate is correct.

RATE SETTING CONVERSION

The following provides approximate **Meyer HOTSHOT** settings for those units listed.

Meyer HOTSHOT Setting	2	3	4	5	6	7	8	9	10	11	12	13	14	15	16	17	18
Prizelawn BF-1 /SS,HVO, CBRIII, Setting	G	H	J	K	M	N	N1/2	O	P1/2	Q	R	S	T	U	V	X	Z
Lesco Hi-WHEEL Setting	E	F	G	H	I	J	K	L	—	—	M	N	O	—	P	R	S
Scott Speedy Green Setting	—	—	2	—	3	—	4	—	5	—	6	—	7	—	8	—	—
Scotts R8A/SR-1, AP&SR2000 Setting	I	J	L	M	O	P	—	Q	—	S	T	U	—	V	W	X	Z

The following provides approximate **Meyer HOTSHOT** settings when only the product weight, square foot coverage, and visual inspection of the material is available.

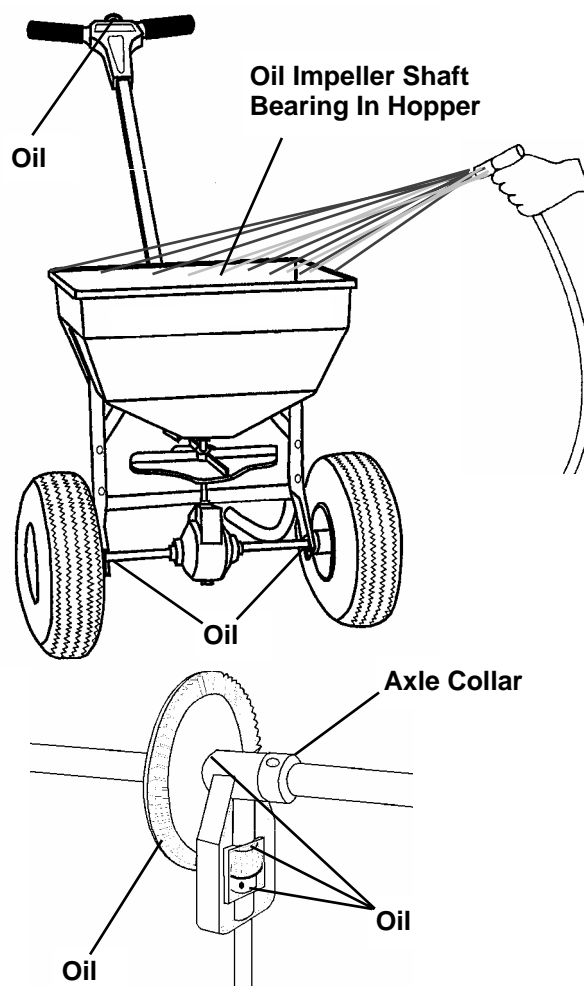
FERTILIZER PARTICLE SIZE		BAG RATE Pounds of fertilizer used per 1,000 sq. ft. of coverage	APPROX. SETTING	APPROX. SPREAD WIDTH
Large, heavy particles		5	6	12 FT.
		10	9	12 FT.
		15	11	12 FT.
Medium- mixed particles		5	5	10 FT.
		10	7	10 FT.
		15	9	10 FT.
Small particles (nitrogen)		1	2	10 FT.
		2	4	10 FT.
		3	5	10 FT.
Mixed size particles -some fines		5	6	8 FT.
		10	9	8 FT.
		15	11	8 FT.
Light weight particles		5	4	6 FT.
		10	5	To
		15	6	8 FT.

The conversions should be used as guidelines for establishing proper rate settings for the particular product being applied. Steps for obtaining the most accurate settings are outlined in the "How to Determine Spreader Settings and Spread Width" section of this manual.

These settings are approximate and may vary due to physical characteristics of the product. Walking speed, wear, condition of the turf and humidity, may cause actual rate setting to deviate. No expressed nor implied warranty or guarantee is provided as to coverage or uniformity indicated by these rate settings.

MAINTENANCE

1. Never store unused material in spreader. Return unused product to its original container.
2. Wash spreader thoroughly after each use and dry completely in sun or heated area.
3. Oil the axle bearings, impeller shaft bearing in hopper, control knob in T-handle.
4. Remove gear cover and wash gears thoroughly. Oil all bearing areas and face of gear teeth. Re-install gear cover.
5. Gear mesh should be checked on a regular basis during high use periods. Clearance between the axle gear and pinion gear should be minimal but not tight. If adjustment is necessary, loosen axle collar set screw and hold gears together. Slide axle collar against the gear support and tighten axle collar set screw. Spin drive wheel. Gears should run freely and smoothly.
6. Impeller surface should be cleaned periodically to remove build-up of product. Build-up can cause the spread pattern to change.
7. Tire pressure should be 20-25 PSI.



WARRANTY

Meyer Products warrants to Purchaser the following:

Meyer Products, Inc., warrants to the original purchaser for a period of one year from the date of purchase of Meyer® and Diamond® brand spreader products that they will be free from defects in materials or workmanship, with the exceptions stated below. No person is authorized to change this warranty or to create any additional warranty on Meyer®/Diamond® products.

Meyer Products will repair any product that proves to be defective in materials or workmanship. In the event repair is not possible or practical (as determined by Meyer Products in its sole discretion), Meyer Products will either replace the product with a new product of similar model and price, or refund the full purchase price, as determined by Meyer Products. Customer must keep the complete spreader system serviced/maintained as recommended by Meyer Products.

This warranty does not cover:

- Problems caused by failure to follow the product instructions, or failure to maintain the product as described in the Operator's Manual;
- Damage resulting from rust, corrosion
- Damage caused by usage that is not in accordance with product instructions (use of the spreader for any purpose other than spreading approved material is considered misuse and abuse);
- Any spreader, or any part, component, or assembly thereof, which has been modified or altered;
- Problems caused by using accessories, parts, or components not supplied by Meyer Products;
- Cost of tax, freight, transportation or storage charges, environmental charges, solvents, sealants, lubricants or any other normal shop supplies.
- Problems caused by collision, fire, theft, vandalism, riot, explosion, lightning, earthquake, windstorm, hail, water, flood, or any other Acts of God;
- Liability for damage to property, or injury to, or death of any person arising out of the operation, maintenance or use of the covered product;
- Products with missing or altered serial numbers;

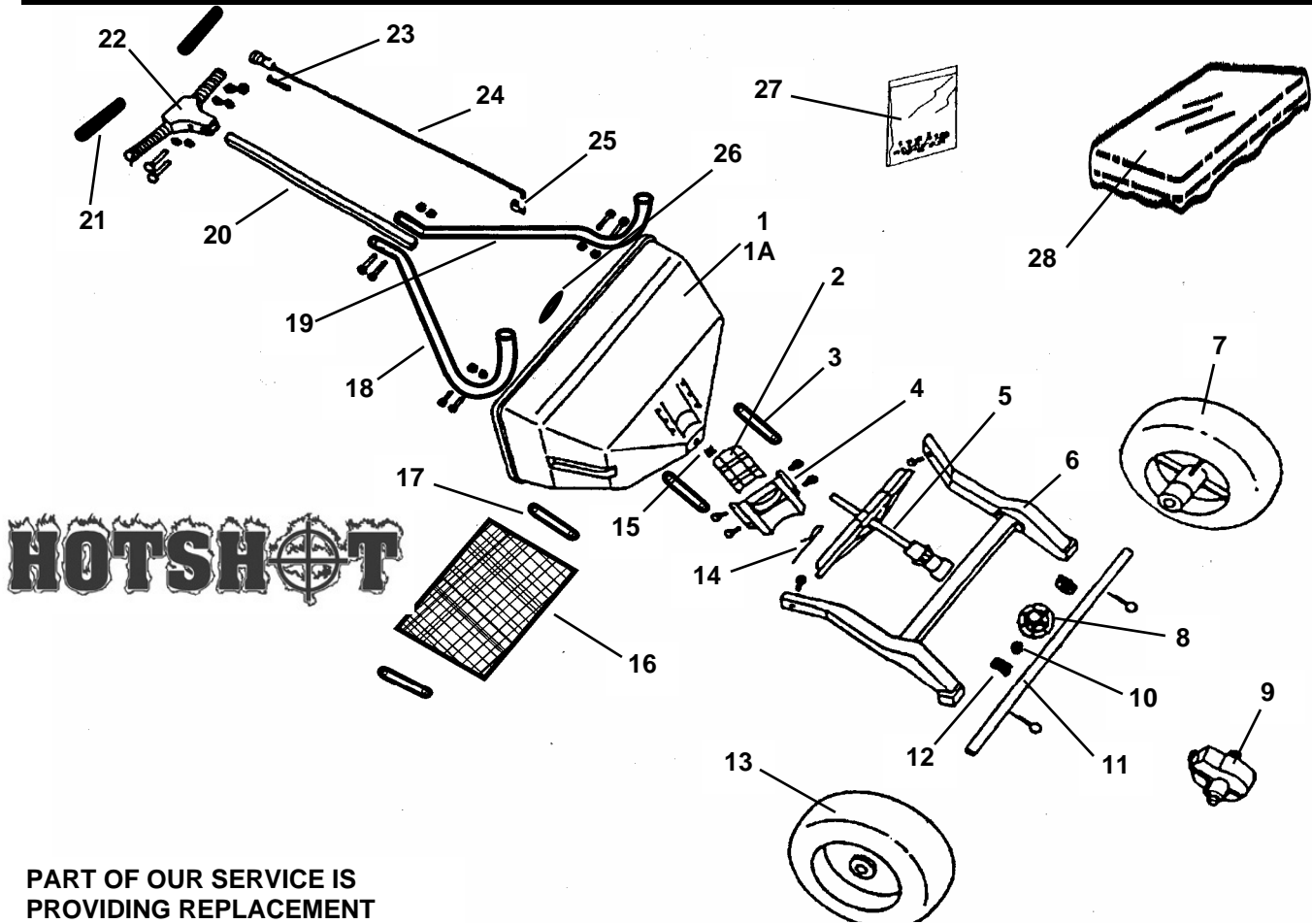
How To Get Service:

- It is the responsibility of the original purchaser to establish the warranty period by verifying the original delivery date. A bill of sale, cancelled check or some other appropriate payment record may be kept for that purpose. It is recommended, but not required, that the consumer verify the original delivery date by immediately returning the attached Warranty Registration Card.

How State Law Applies:

This warranty gives you specific legal rights, and you may also have other rights which vary from state to state.

Parts List for Model 38100



PART OF OUR SERVICE IS PROVIDING REPLACEMENT PARTS. Parts may be obtained through your local distributor. be sure to give:

1. SPREADER MODEL NUMBER
2. SPREADER NAME
3. PART NUMBER
4. NAME OF PART AS SHOWN

IF YOUR LOCAL DISTRIBUTOR CANNOT SUPPLY PARTS, CONTACT:



Meyer Products, Inc.

18513 Euclid Ave

Cleveland, Ohio 44112

216-486-1313

www.meyerproducts.com

Key No.	Description	Part No.	Key No.	Description	Part No.
1	Hopper Assembly	PSB15383	15	Impeller Shaft Bearing *	PSB14312-1
1A	Hopper *	PSB15270	16	Hopper Screen	PSB14603-1
2	Shutoff Plate *	PSB14454-1	17	Screen Clips (2)	PSB14022
3	Shutoff Plate Guides (2) *	PSB15377	18	Handle Brace W/ Plug- LH.	PSB15378
4	Rate Cam & Chute Assembly *	PSB14455-1	19	Handle Brace W/ Plug- RH.	PSB15379
5	Impeller Assembly	PSB15263	20	Handle Tube	PSB15283-1
6	Frame Assembly	PSB15262-2	21	Handle Grips (2)	PSB15264
7	Drive Wheel	PSB14939-1	22	T-Handle Assembly	PSB13634-2
8	Axle Gear	PSB13360	23	Control Knob Spring	PSB14462
9	Gear Cover Assembly	PSB14629	24	Control Knob & Wire Ass'y.	PSB13640-1
10	Axle Collar	PSB13362	25	Wire Retaining Clip	PSB13643-1
11	Axle	PSB15380	26	Hopper Plug	PSB15271
12	Axle Bushings (2)	PSB14951	27	Parts Package	PSB15273
13	Free Wheel	PSB14940-1	28	Hopper Cover	PSB14606-1
14	Agitator	PSB14510			

* Parts included in Hopper Assembly

© 2004 Meyer Products, Inc.